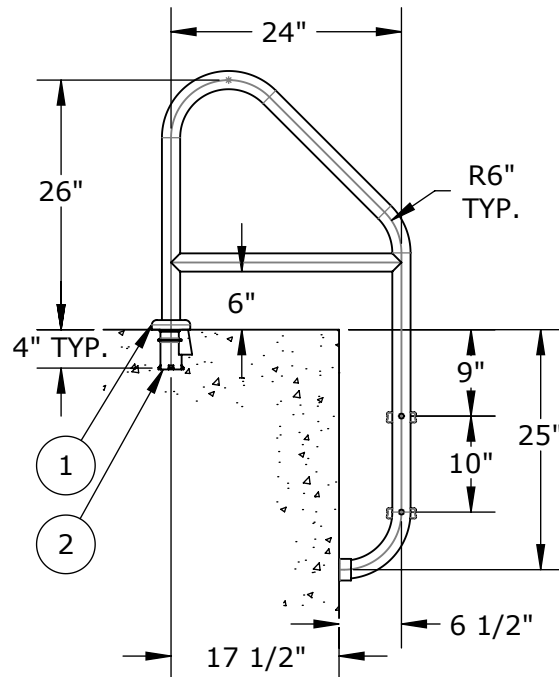
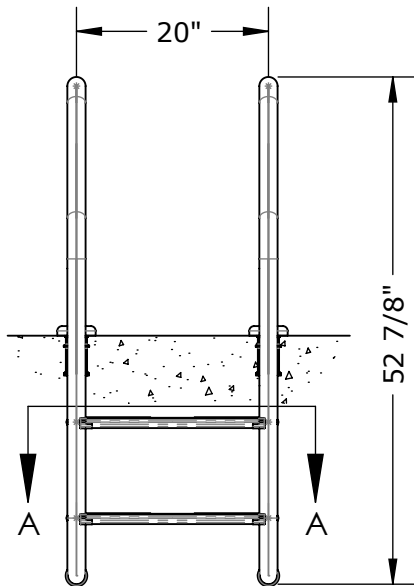
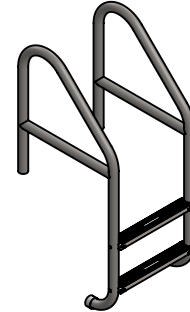
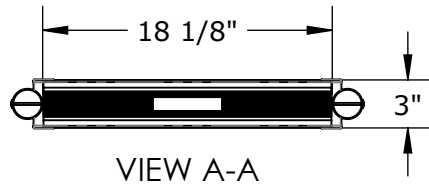


24" 2-TREAD COMMERCIAL CROSSBRACED LADDER



1. (2) ESCUTCHEON INCLUDED W/ COATING OPTIONS ONLY
2. (2) ANCHOR NOT INCLUDED



THE INTENT OF THIS SUBMITTAL IS TO PROVIDE PRODUCT DATA ONLY.
PLEASE VERIFY WITH A REPRESENTATIVE AT INTER-FAB FOR PROJECT SPECIFIC REQUIREMENTS

PC POWDER COAT	PLEASE CALL CUSTOMER SERVICE FOR SPECIFIC COMMERCIAL RAIL COATING AVAILABILITY
TP THERMO PLASTIC	
MG MARINE GRADE	

ENGINEERING DATA

PRODUCT: 24" 2-TREAD COMMERCIAL CROSSBRACED LADDER W/ SUT TREAD

PRODUCT#: COML2CB24065S

CREATED: 6/30/2016

MATERIAL: 1.90 x .065

ICA | **INTER-FAB**
commercial aquatics