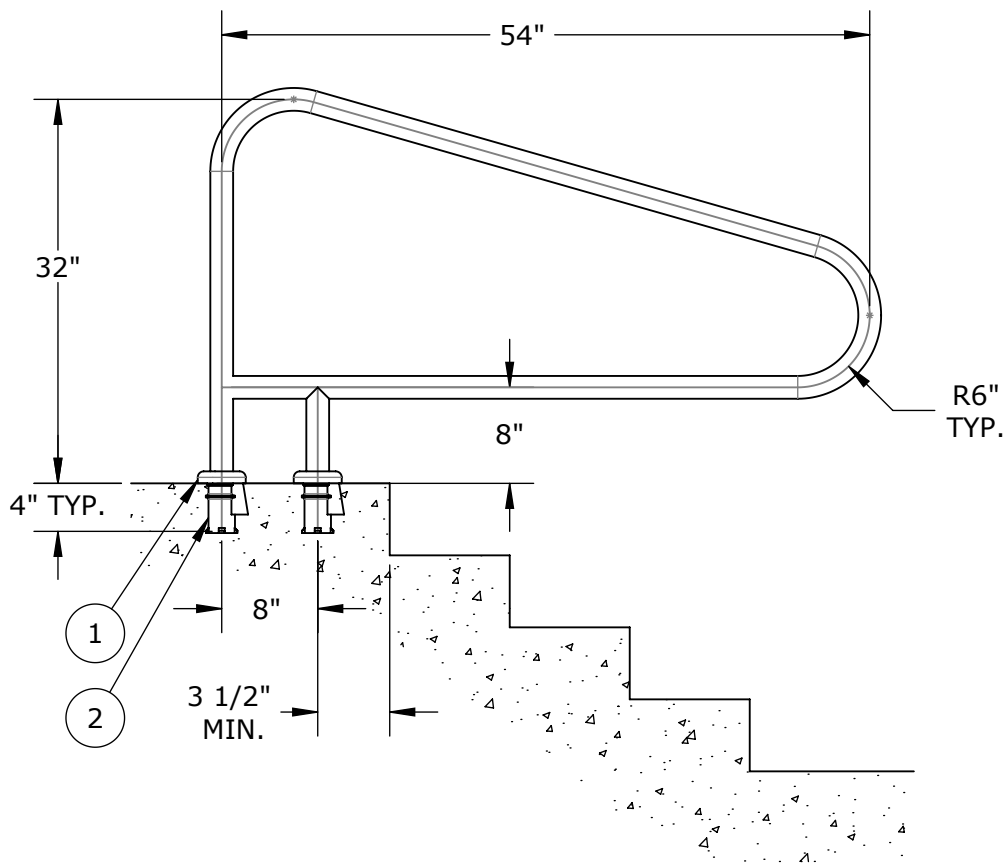
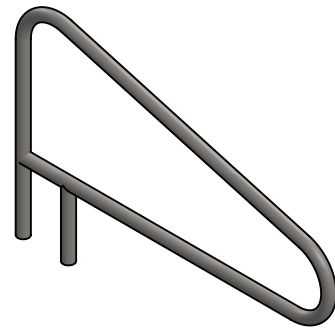


3-BEND DECK TO DECK HAND RAIL WITH BRACE



1. (2) ESCUTCHEON INCLUDED W/ COATING OPTIONS ONLY
2. (2) ANCHOR NOT INCLUDED



THE INTENT OF THIS SUBMITTAL IS TO PROVIDE PRODUCT DATA ONLY.
PLEASE VERIFY WITH A REPRESENTATIVE AT INTER-FAB FOR PROJECT SPECIFIC REQUIREMENTS

| | |
|--------------------------|--------------------------------------------------------------------------------------------------|
| PC POWDER COAT | PLEASE CALL CUSTOMER SERVICE FOR SPECIFIC COMMERCIAL RAIL COATING AVAILABILITY |
| TP THERMO PLASTIC | |
| MG MARINE GRADE | |

ENGINEERING DATA

PRODUCT: 3-BEND DECK TO DECK HAND RAIL WITH BRACE

PRODUCT#: D3BD065

CREATED: 6/30/2016

MATERIAL: 1.90 x .065

ICA | **INTER-FAB**
commercial aquatics